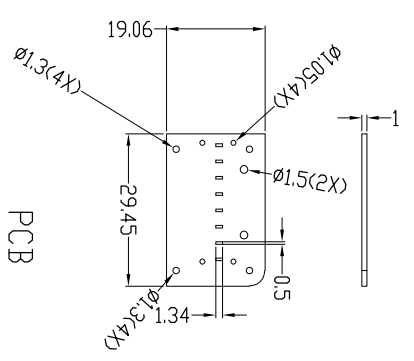
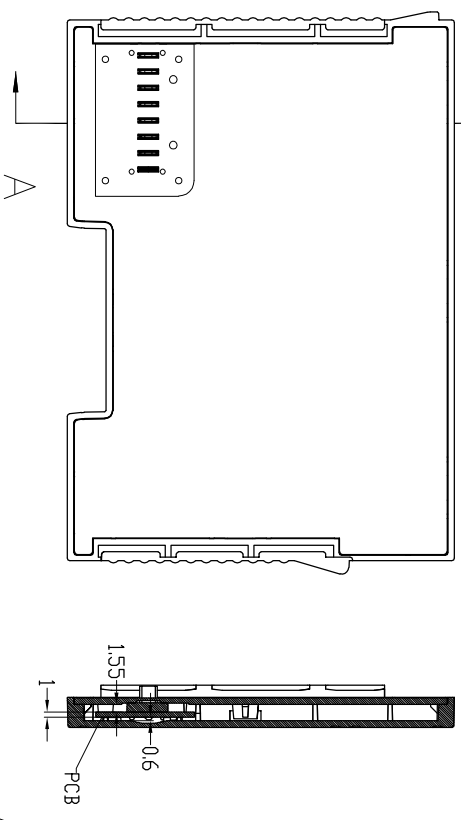
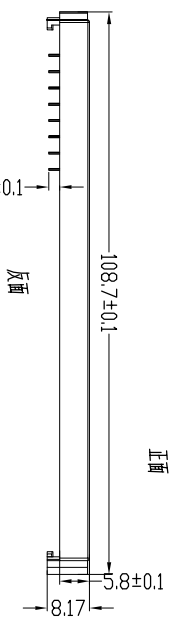


REV	CONTENT	CHK	DATE
V0.0	CONTENT	MYZ	22.10.12



SECTION A--A

PCB

Total Pitch Tolerances		Nominal dimension range		Tolerance		Symbol	
In mm		In mm					
0	over	0	over	0	over	—	//
30	to	53	to	30	to	—	
53	to	70	to	53	to	—	
70	to	90	to	70	to	—	
90	to	115	to	90	to	—	
115	to	150	to	115	to	—	
150	to	250	to	150	to	—	
250	to	350	to	250	to	—	
350	to	500	to	350	to	—	
500	to	30	to	30	to	—	
30	to	53	to	53	to	—	
53	to	70	to	70	to	—	
70	to	90	to	90	to	—	
90	to	115	to	115	to	—	
115	to	150	to	150	to	—	
150	to	200	to	200	to	—	
200	to	250	to	250	to	—	
250	to	320	to	320	to	—	
320	to	10	to	10	to	—	
10	to	0.2	to	0.2	to	—	
0.2	to	0.3	to	0.3	to	—	
0.3	to	0.3	to	0.3	to	—	
0.3	to	0.2	to	0.2	to	—	
0.2	to	0.3	to	0.3	to	—	
0.3	to	0.5	to	0.5	to	—	

ITEM	NAME OF PART	Q'TY	MATERIAL
DWG.	MYZ	DATE	22.10.12
CHK.	DATE	SCALE	1:1
APP.	DATE	NAME	SF018档板 (SF-Z带端子)
 宁波三安电子科技有限公司 Sanan Electrical Technology Co., Ltd		DWG/NO.	SF210003BXX

SIZE	A4	UNITS	mm	SHEET/OF	1 / 1
------	----	-------	----	----------	-------